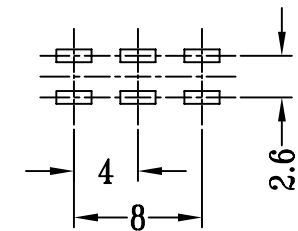
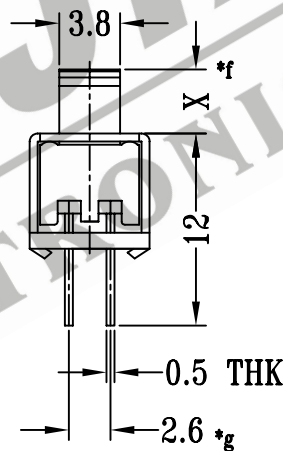
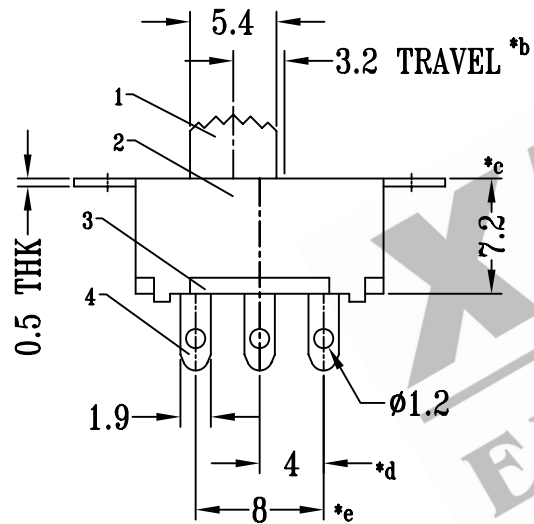
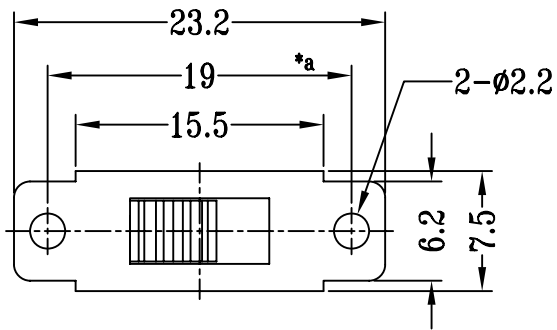


CAD FILE:



SCHEMATIC (NON-SHORTING)

P.C.B LAYOUT

注:带"\*"表示关键尺寸(7个)

				TOLERANCE UNLESS SPECIFIED		SHENZHEN XIEJIA ELECTRONICS CO.,LTD.						
				WITHIN: 1.5±0.1mm		ISSUE		DATE		DESCRIPTIONS		APPD.
8												
7												
6	SPRING	STEEL WIRE	2	TEMPER	OVER : 1.5±0.2mm							
5	CONTACT CLIP	BRASS STRIP	2	Ag PLATED								
4	TERMINAL	BRASS STRIP	6	Ag PLATED OVER Ni PLATED	TITLE : VERTICAL SLIDE SWITCH		UNIT : MM		DRWG NO.: XJ-DR-SS22F32-00			
3	BASE	PHENOLIC RESIN	1	BLACK	MODEL: SS-22F32		SCALE: 2 : 1		DWN.	ZHOUYU	2005-6-23	
2	FRAME	STEEL STRIP	1	BLACK					CHK'D	FANGYING	2005-6-23	
1	KNOB	POM	1	BLACK					APPD.	KANGXINAN	2005-6-23	
NO.	PART NAME	MATERIAL	Q'TY	FINISHING	ALL MATERIALS MUST BE COMPLIANT TO ROHS							